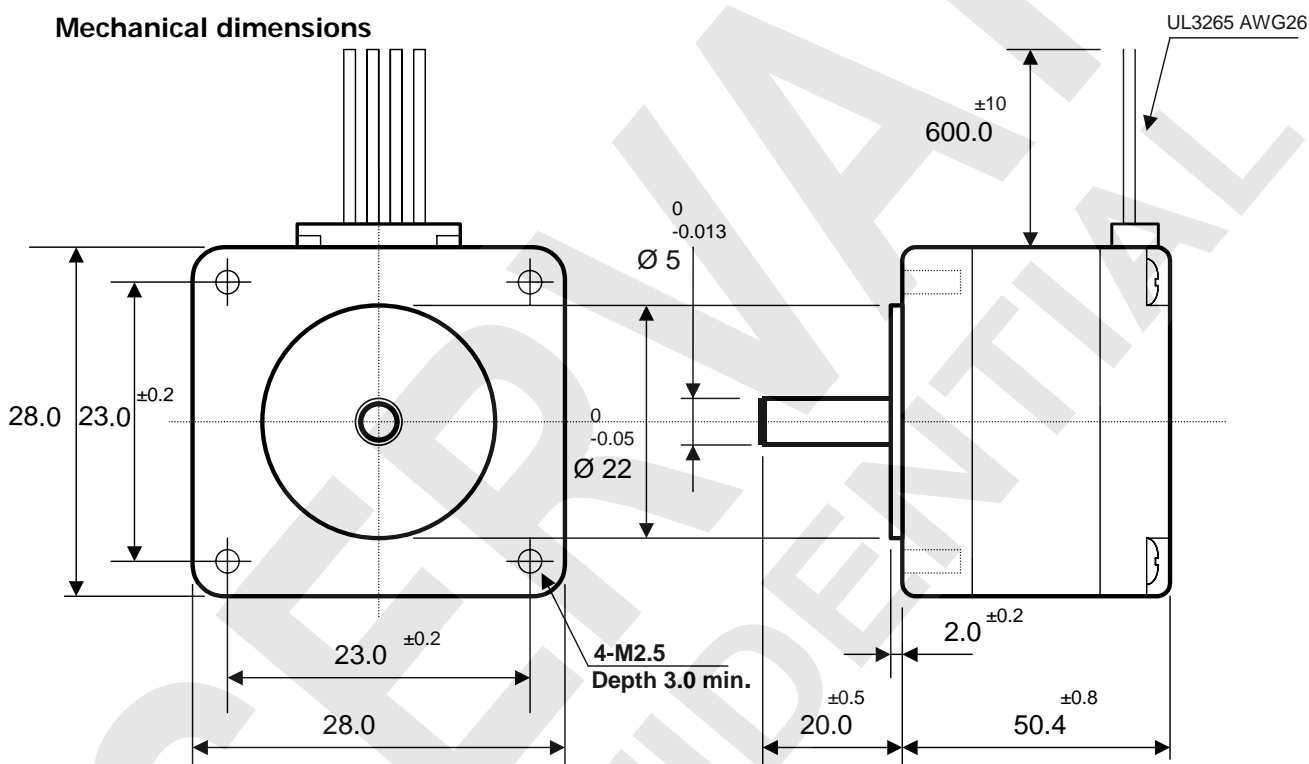
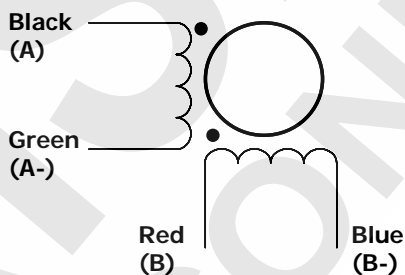


Front Flange	1.2" - 28 mm square flange	Step Angle	1,8° ±5%
Front Shaft	20.0 mm length - Ø 5.0 mm	Rear Shaft	None
Winding	# 4 lead wires	Lead Wire Length	600 mm ±10
Rated Voltage	6.00 Volt	Rated Current	0.67 Amps
Resistance	9.00 ohm ±10%	Inductance	9.00 mH ±20%
Winding	Bipolar parallel	Holding Torque	0.15 Nm
Rotor inertia	22.0 g.cm ²	Insulation class	Class B, 130°C
Ambient Temperature	-20° ~ + 40°C	Temperature rise	80K max
Max Axial Force	12 N	Max Radial Force	50 N (at front shaft end)

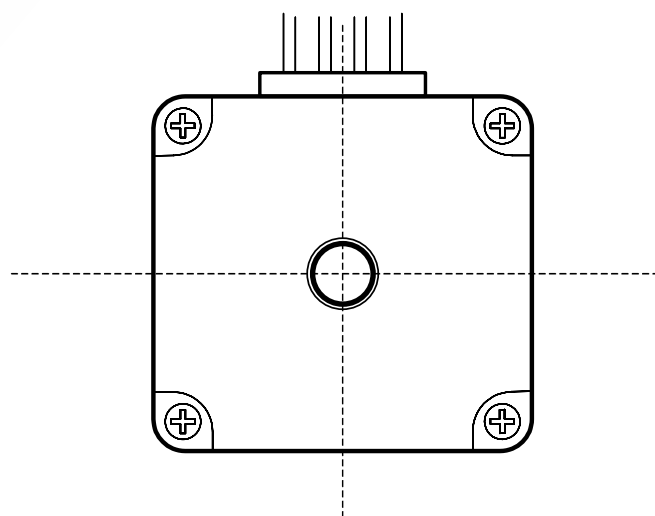
Mechanical dimensions



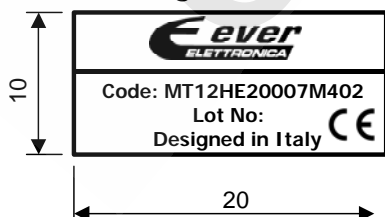
Wiring diagram



Rear flange



Motor Labelling



	MOTOR SPECIFICATION: Stm01129-00c	DATA: December, 2nd 2015	CUSTOMER APPROVAL: _____
	MOTOR CODE: MT12HE20007M402		CODICE CLIENTE: _____