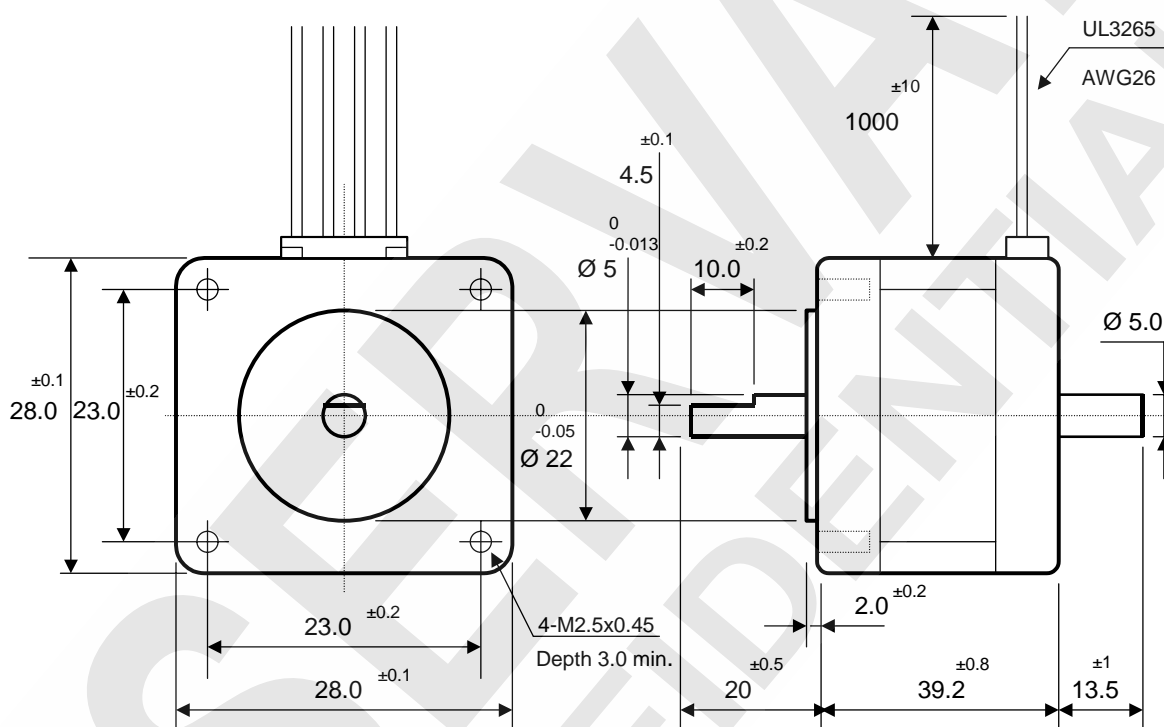
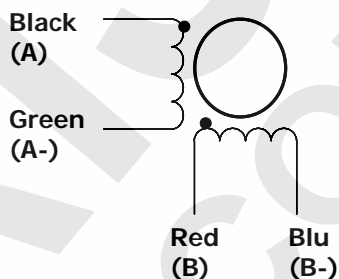


Flange	1.2 incs – 28x28 mm square	Step Angle	1,8° ±5%
Front Shaft	20.0 mm length – Ø 5.0 mm with D-cut as drawing	Rear Shaft	13.5 mm length – Ø 5.00 mm
Lead wires	# 4 lead wires	Lead Wire Length	1000 mm ±10
Rated Voltage	3.75 Volt	Rated Current	1.50 Amps
Resistance	2.50 ohm ±10%	Inductance	1.90 mH ±20%
Winding	Bipolar	Holding Torque	0.13 Nm
Rotor Inertia	12 g.cm ²	Insulation class	Class B, 130° C
Ambient temperature	-20°C ~ +40°C	Temperature rise	80K max
Shaft thrust load	3 N	Shaft radial load	25 N (at front shaft end)

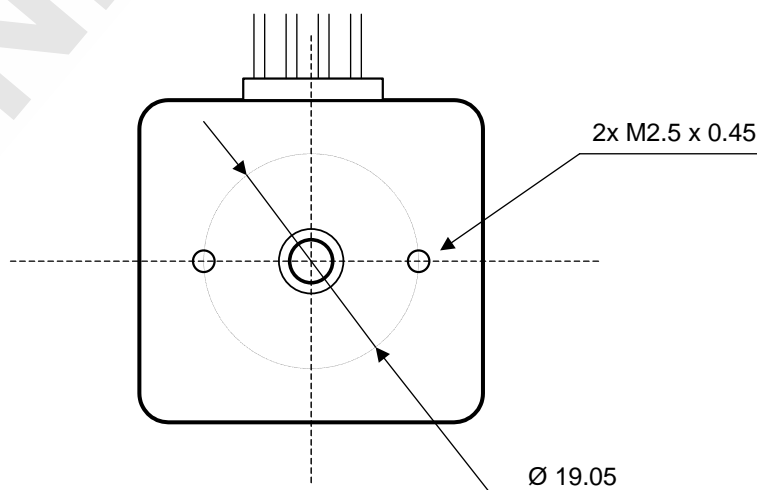
Mechanical dimensions



Wiring diagram



Rear flange



Motor Labelling

