

RoHS

A

B

C

D

E

1

2

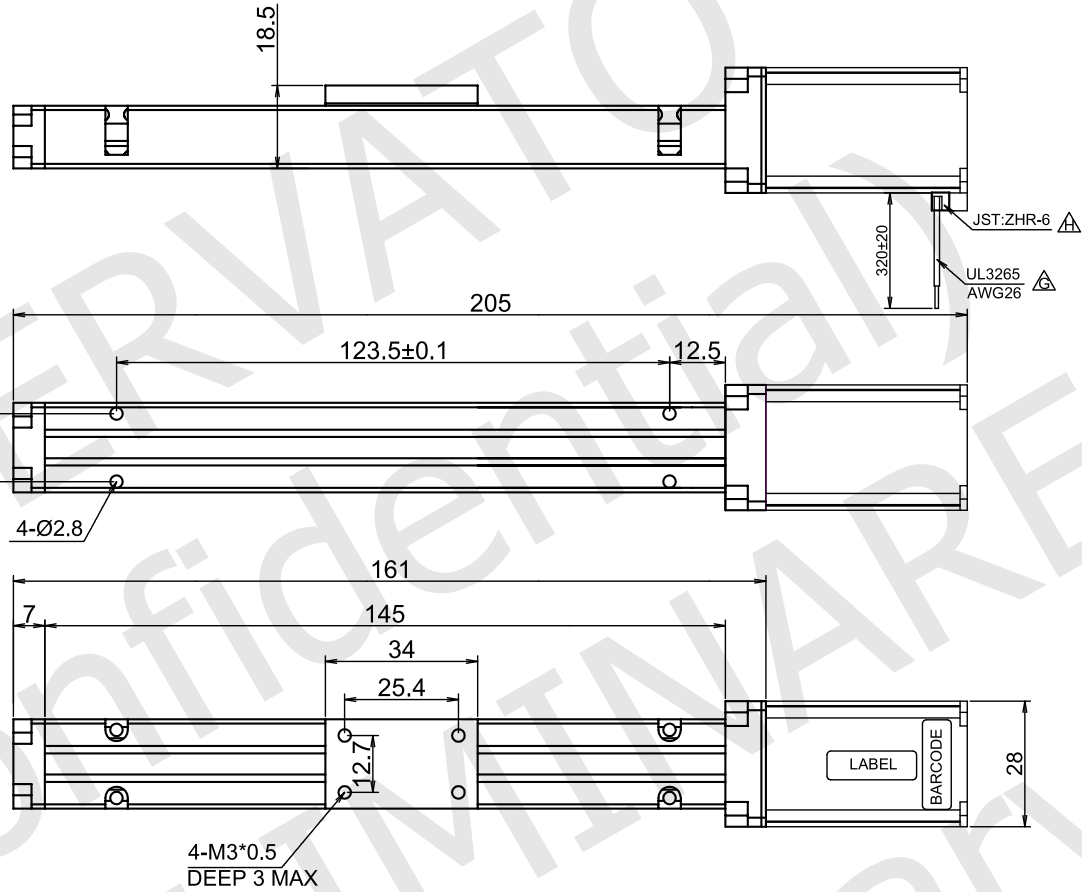
3

4

5

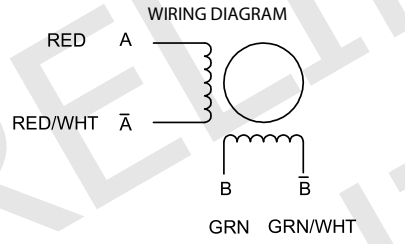
6

7



LINEAR SPECIFICATIONS

STEP ANGLE	1.8° ±5%
RATED CURRENT	1.00 Amps/Ph
RESISTANCE	3.20 ohm ±10% at 25°C
INDUCTANCE	2.50 mH ±20% at 1kHz, 1Vrms
SCREW DIAMETER	4.76 mm
SCREW LEAD	1.27 mm
DISTANCE PER STEP	0.00635 mm
STROKE	111max
POSITIONING ACCURACY	0.1 mm
REPEATABILITY	0.05 mm
BACKLASH	0.02 mm
TRUST FORCE	10 Kg @1000 pps



EXCITING SEQUENCE (TWO PHASES) VS. DIRECTION OF ROTATION

STEP	A	B	Ā	B̄	
1	+	+	-	-	CCW ↑
2	-	+	+	-	
3	-	-	+	+	
4	+	-	-	+	

CLOCK WISE VIEW FROM MOUNTING SIDE

LABELS

(10)

Code : MT11HE18010M4A3
Cust. P/N:
Lot. :
Made in China

(20)

YYWWXXXXX (25 x 8)
Stator barcode label

UNIT: mm
UNLESS OTHERWISE SPECIFIED TOLERANCES
DIMENSIONS : ±0.3 mm DEGREES : ±5%

DRAWING NOT TO SCALE

DESIGN	Stm01838-01k
CHECK	
APPROVED	
DATE	03 / 02 / 2021

MT11HE18010M4A3
STEPPING MOTOR SPECIFICATION

REV	00a - First release.
	01f - Modify size.
	01g - Modified the exciting sequence and the winding parameters as samples.
	01h - Added connector and lead wires informations.
	01i / 01j / 01k - Changed the front flange fixing holes distance, add some mechanical parameters and fixed the stroke value.