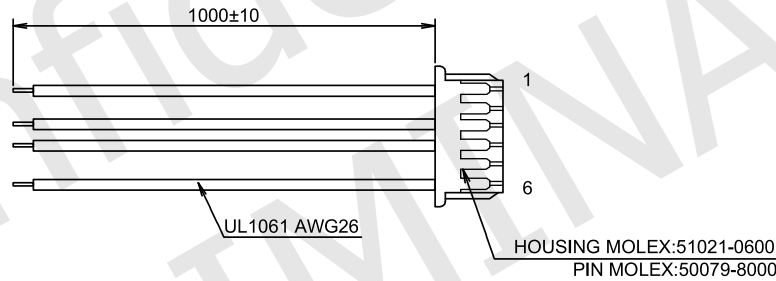
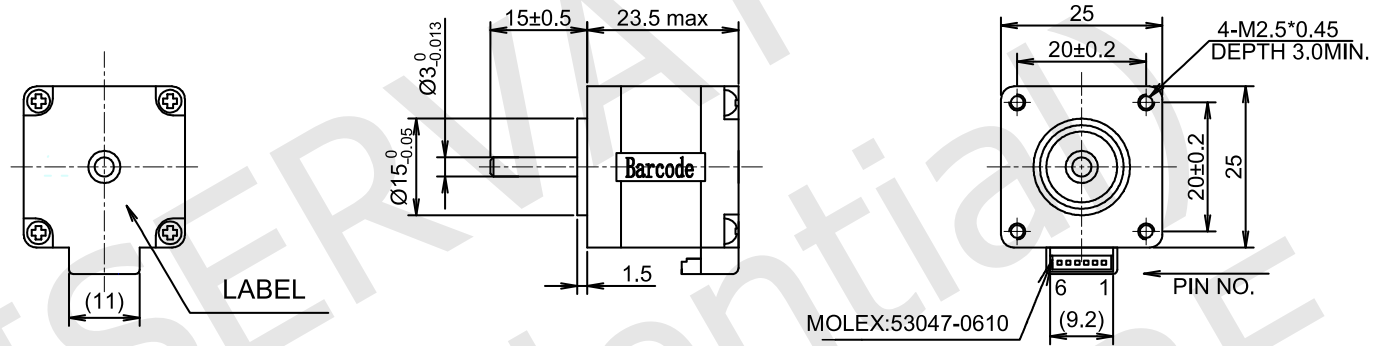
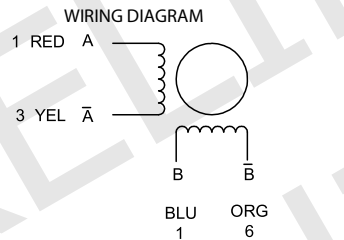


RoHS



**MOTOR SPECIFICATIONS**

STEP ANGLE	1.8° ±5%
RATED CURRENT	0.70 Amps/Ph
HOLDING TORQUE	0.033 Nm Min.
RESISTANCE	3.80 ohm ±10% at 25°C
INDUCTANCE	2.00 mH ±20% at 1kHz, 1Vrms
ROTOR INERTIA	2 g.cm <sup>2</sup>
INSULATION CLASS	Class B, 130°C
DIELECTRIC STRENGTH	500 Vac 1 minute
IP CODE	IP20
PULL OUT TORQUE	---
BACK EMF	---
DETENT TORQUE	---
WEIGHT	100 g. approx
TEMPERATURE RISE	80K Max.
OPERATING TEMPERATURE	-20°C ~ +85°C
STORAGE TEMPERATURE	-20°C ~ +85°C
SHAFT AXIAL LOAD	3 N
SHAFT RADIAL LOAD	25 N (ON THE SHAFT END)



EXCITING SEQUENCE (TWO PHASES)  
VS. DIRECTION OF ROTATION

STEP	A	B	Ā	B̄	
1	+	+	-	-	CCW
2	-	+	+	-	
3	-	-	+	+	
4	+	-	-	+	

CLOCK WISE VIEW FROM MOUNTING SIDE

LABELS

Code: MT10HE10007M40C  
Lot #: \_\_\_\_\_  
Connect to driver only, see manual for details.  
Made in China

(20)

YYWWXXXXX (25 x 8)  
Stator barcode label

UNIT: mm  
UNLESS OTHERWISE SPECIFIED TOLERANCES  
DIMENSIONS : ±0.3 mm DEGREES : ±5%

DESIGN	Stm01902-01a
CHECK	
APPROVED	
DATE	29 / 10 / 2020

**MT10HE10007M40C**  
STEPPING MOTOR SPECIFICATION

REV	00a - First release.
	01a - Changed the label layout and dimensions



www.everelectronica.it