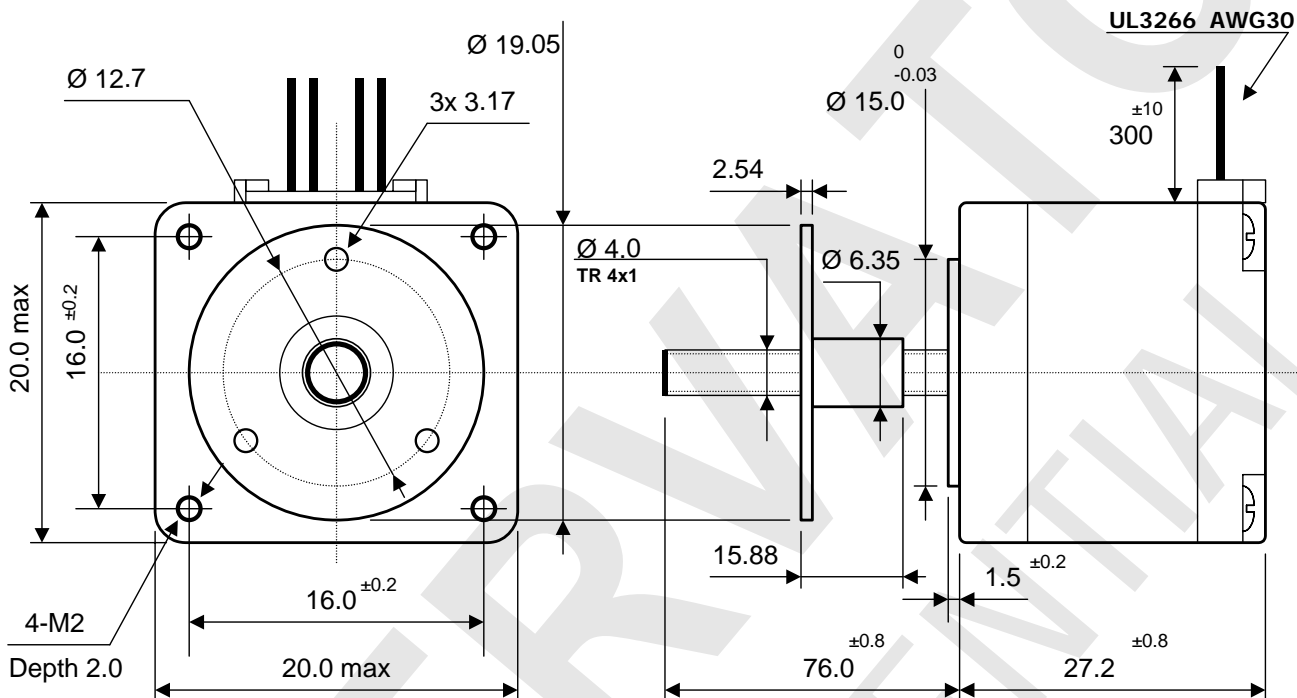
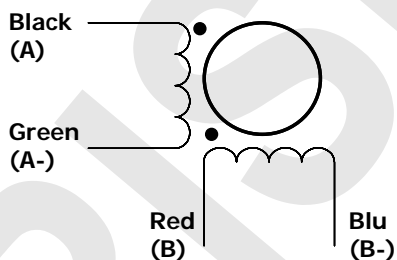


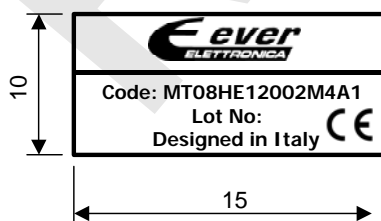
|                     |  |                  |                      |
|---------------------|--|------------------|----------------------|
| Front Flange        | <b>0.8" - 20 mm square flange</b>          | Step Angle       | <b>1.8° ±5%</b>      |
| Front Shaft         | <b>Special linear actuator see drawing</b> | Rear Shaft       | <b>None</b>          |
| Lead wires          | <b># 4 lead wires</b>                      | Lead Wire Length | <b>300 mm ±10</b>    |
| Rated Voltage       | <b>5.28 Volt</b>                           | Rated Current    | <b>0.24Amps</b>      |
| Resistance          | <b>22.00 ohm ±10%</b>                      | Inductance       | <b>6.00 mH ±20%</b>  |
| Rotor inertia       | <b>2.0 g.cm<sup>2</sup></b>                | Holding Torque   | <b>0.015 Nm min.</b> |
| Winding             | <b>Bipolar</b>                             | Insulation class | <b>B, 130°C</b>      |
| Ambient temperature | <b>-20°C ~ +40°C</b>                       | Temperaure rise  | <b>80K max</b>       |



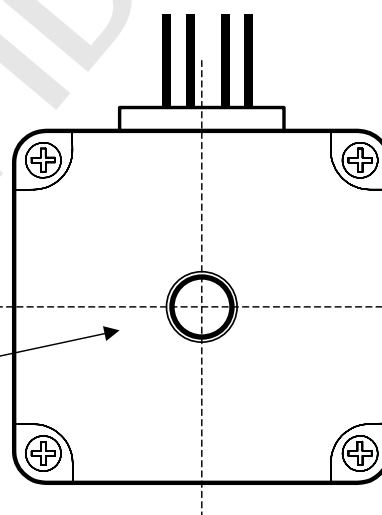
**Wiring diagram**



**Motor Labelling**



**Rear flange**



|  |                                   |                           |                          |
|--|-----------------------------------|---------------------------|--------------------------|
|  | Motor specification: STM01375-00b | Date: November, 17th 2016 | Customer approval: _____ |
|  | Motor code: MT08HE12002M4A1       |                           | Customer p/n: _____      |