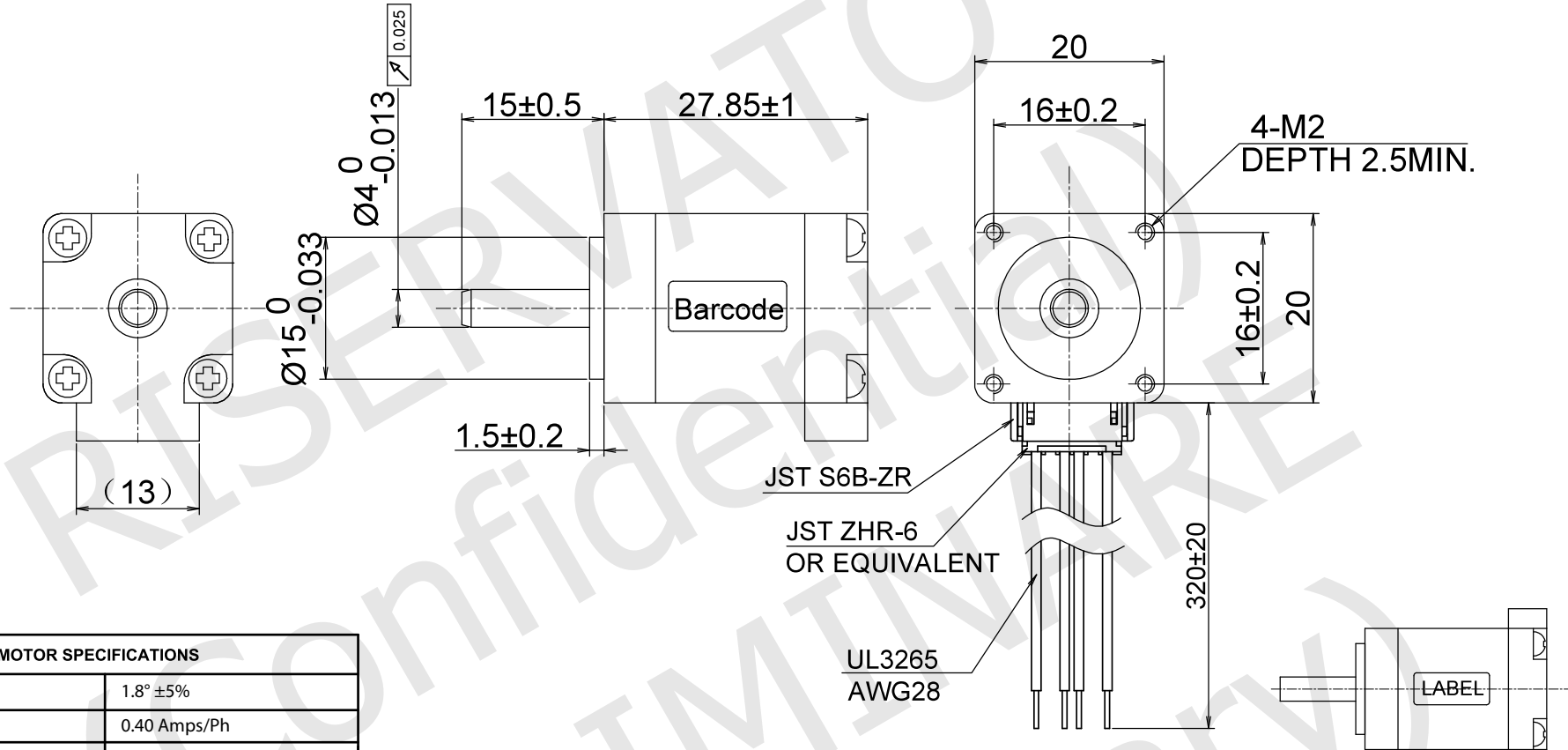


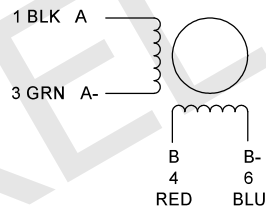
RoHS



**MOTOR SPECIFICATIONS**

STEP ANGLE	1.8° ±5%
RATED CURRENT	0.40 Amps/Ph
HOLDING TORQUE	0.015 Nm Min.
RESISTANCE	11.20 ohm ±10% at 25°C
INDUCTANCE	3.50 mH ±20% at 1kHz, 1Vrms
ROTOR INERTIA	2 g.cm <sup>2</sup>
INSULATION CLASS	Class B, 130°C
DIELECTRIC STRENGTH	500 Vac 1 minute
IP CODE	IP40
PULL OUT TORQUE	---
BACK EMF	---
DETENT TORQUE	---
WEIGHT	40 g. approx
TEMPERATURE RISE	80K Max.
OPERATING TEMPERATURE	-20°C ~ +50°C
STORAGE TEMPERATURE	-20°C ~ +70°C
SHAFT AXIAL LOAD	--- N
SHAFT RADIAL LOAD	--- N (ON FRONT SHAFT END)

**WIRING DIAGRAM**

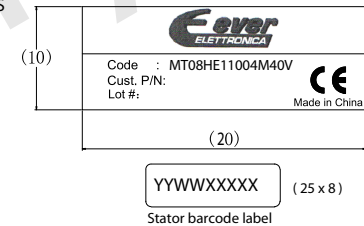


**EXCITING SEQUENCE(TWO PHASES) VS.DIRECTION OF ROTATION**

STEP	A	B	$\bar{A}$	$\bar{B}$
1	+	+	-	-
2	-	+	+	-
3	-	-	+	+
4	+	-	-	+

CLOCK WISE VIEW FROM MOUNTING SIDE

**LABELS**



UNIT: mm  
UNLESS OTHERWISE SPECIFIED TOLERANCES  
DIMENSIONS : ±0.3 mm DEGREES : ±5%  
ORTHOGRAPHIC PROJECTION

DESIGN	Stm01049-01a
CHECK	
APPROVED	
DATE	27 / 09 / 2022

**MT08HE11004M40V**  
STEPPING MOTOR SPECIFICATION

REV

01a - First release with connector on board.



www.everelettronica.it