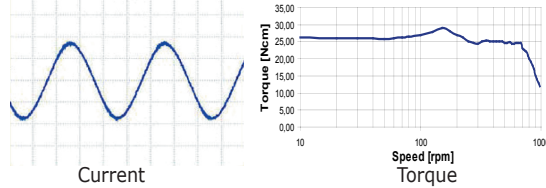


Main-features

✓ Vectorial control

The sinusoidal phase current keep the motor torque constant allowing smooth and noiseless movements.



✓ Smooth movement

✓ Compact size

✓ Noiseless rotation

✓ Reliability

✓ Low EM emissions

✓ Software resonance damping

✓ High efficiency current set up

✓ Reduction temperature

✓ From 5 to 24 Vcc inputs voltage

Specifications

MODELS

Code	Power supply	Current max	Motors type
EPDO-02	15 ÷ 48 Vdc	2.4 Apeak	2 phases
EPDO-04	24 ÷ 48 Vdc	4.5 Apeak	2 phases
EPDO-08	24 ÷ 75 Vdc	7.8 Apeak	2 phases

OPTO ISOLATED INPUTS

3 digital inputs 5-24 Vdc NPN, PNP for Step, Direction and Enable

OPTO ISOLATED OUTPUTS

1 digital output 24 Vdc - 100 mA for status monitoring (EPDO-04 ed EPDO-08)

EMULATED STEP RESOLUTION

from full step to 1/128 step and from full step to 1/100 step emulated and configurable through dip-switches

SCI INTERFACE

SCI service serial interface for realtime debug

STATUS MONITORING

through two leds

SAFETY PROTECTIONS

Over/Under voltage, Over Current, Over Temperature, Short Circuit Phase/Phase and Phase/Ground

TEMPERATURE

Working: from 5°C to 40°C. Storage: from -25°C to 55°C

HUMIDITY

5% ÷ 85% not condensed

PROTECTION CLASS

IP20

Vectorial drivers for 2 phases stepper motors



EPDO

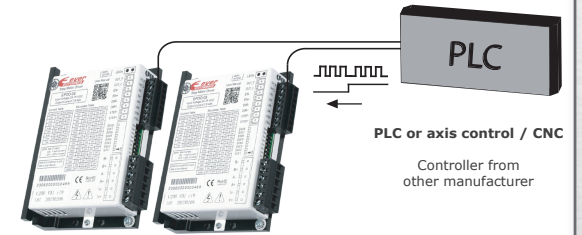
Ck. & Dir. Drivers

- Clock & Direction commands
- Vectorial control for smooth and noiseless movements
- Integrated diagnostic

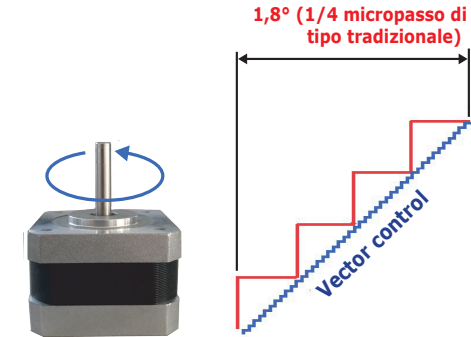


ELETRONICA PER AUTOMAZIONE INDUSTRIALE
Via del Commercio, 2/4 -9/11
Loc. S. Grato - Z.I.
26900 - LODI (LO) - Italy
Tel. 0039 0371 412318 - Fax 0039 0371 412367
email infoever@everelettronica.it
www.everelettronica.it

Step & Direction



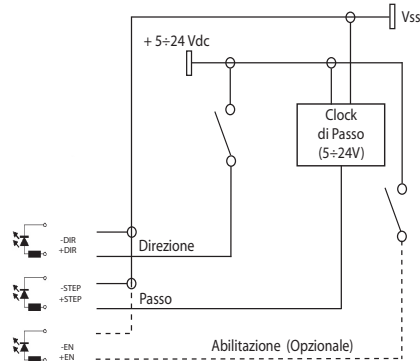
- Setting of the current value by means of dip-switches
- Selection of the step angle by means of dip-switches. In order to maintain compatibility with traditional drivers, step angles have been emulated through software, the current regulation is always sinusoidal.



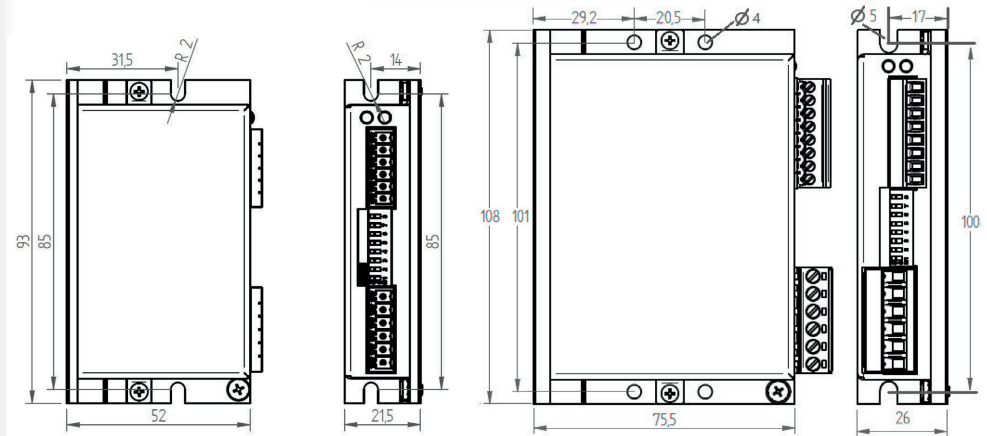
- Possibility to select through dip-switches 50% or 90% automatic current reduction (still motor).

Inputs Connection

Connection of Step and Direction signals



Mechanical Data



EPDO-02

EPDO-04 and EPDO-08

Models	Dimensions (mm)			Weight (g. about)
	H	L	W	
EPDO-02	93.0	52.0	21.5	250
EPDO-04	108.0	75.5	26.0	350
EPDO-08	108.0	75.0	26.0	350

Ordering Information for EPDO Drives

Ordering code	Power		System resources			
Versions	Power Supply	Current	Digital Inputs	Digital Outputs	Safety input	SCI Interface
EPDO Drive Series						
EPDO-02	15 ÷ 48 Vdc	0.40 ÷ 2.4 Apeak	3 opto isolated 5-24Vdc NPN or PNP compatible	---	---	For real time debug
EPDO-04	24 ÷ 48 Vdc	1.0 ÷ 4.5 Apeak	3 opto isolated 5-24Vdc NPN or PNP compatible	1 opto isolated 24 Vdc 100 mA PNP	---	For real time debug
EPDO-08	24 ÷ 75 Vdc	2.40 ÷ 7.8 Apeak	3 opto isolated 5-24Vdc NPN or PNP compatible	1 opto isolated 24 Vdc 100 mA PNP	---	For real time debug

Optional kit for configuration

Code	Description
LW3_SERV00-SL	Communication Kit for SCI serial sevice interface.