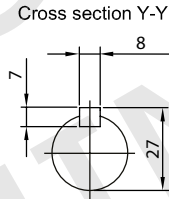
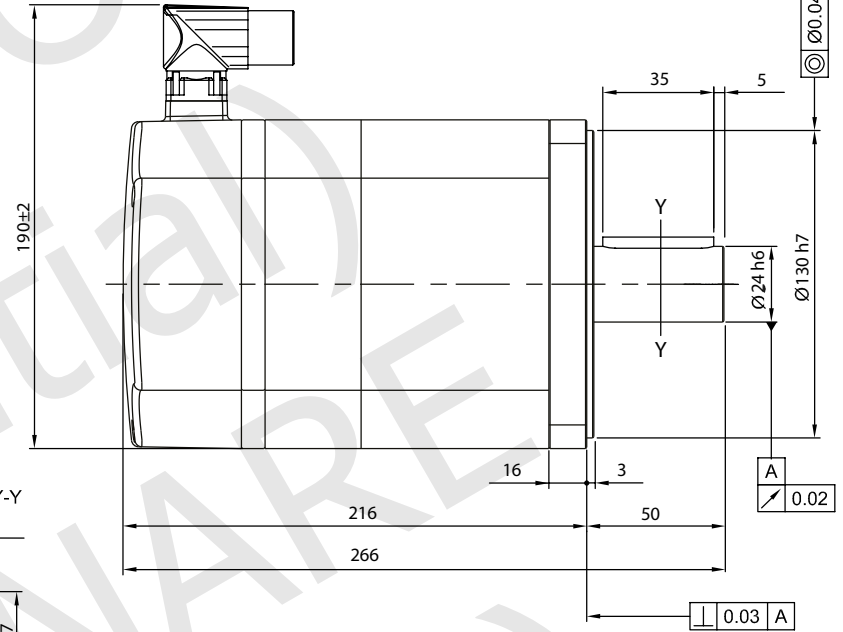
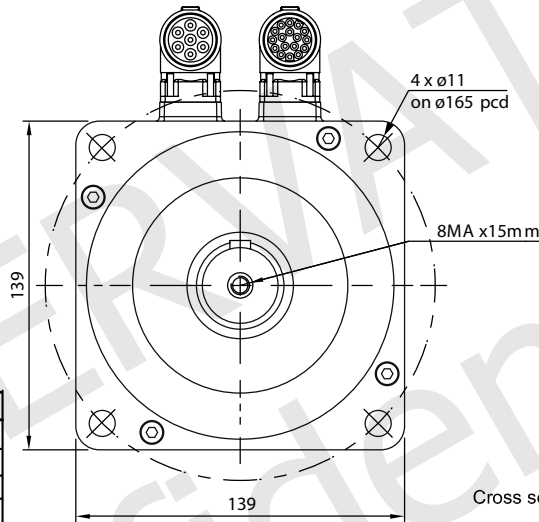
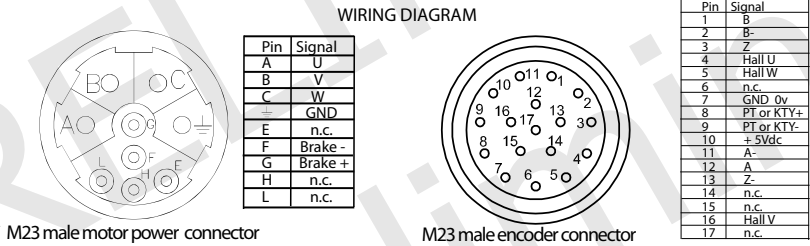


RoHS



BRAKE SPECIFICATIONS	
RATED VOLTAGE	24 Vdc
RATED CURRENT	1.00 A
HOLDING TORQUE	18.00 Nm
MAX SPEED	10000 rpm
MOMENT OF INERTIA	1.60 Kg.m ² *10 ⁻⁴
ENCODER SPECIFICATIONS	
ENCODER TYPE	Incremental quadrature
RESOLUTION	2048 ppr
ROTOR MOMENT OF INERTIA	0.01 Kg.m ² *10 ⁻⁴
POWER SUPPLY	5 Vdc
OUTPUT	Line driver
MOTOR SPECIFICATIONS	
POLE PAIRS	5
APPLIED VOLTAGE	230 Vac
RATED POWER	1400 W
STALL TORQUE	6.00 Nm
STALL CURRENT	6.80 A
RATED TORQUE	4.50 Nm
RATED CURRENT	5.20 Arms
PEAK TORQUE	18.00 Nm
PEAK CURRENT	20.5 Arms
RATED SPEED	3000 rpm
MAX SPEED	4000 rpm
TORQUE CONSTANT	0.87 Nm/Arms ±5%
VOLTAGE CONSTANT	49.50 Vrms/Krpm ±5%
LINE TO LINE RESISTANCE	0.70 ohm ±5%
LINE TO LINE INDUCTANCE	7.8 mH
ROTOR INERTIA	6.1 Kg.m ² *10 ⁻⁴
AMBIENT TEMPERATURE	+0°C ~ +40°C
WEIGHT	5.5 Kg.
PROTECTION	IP65
INSULATION CLASS	Class F, 155°
MAX RADIAL LOAD	1200 N
MAX AXIAL LOAD	500 N



LABELS

Made in Italy

CODE **BA55SA1402E1B0F**

U _N	230 Vac	n	3000 r/min
Ke	49.5 V/Krpm	DUTY	S1
I _N	5.2 A	InC	F
M _N	4.5 Nm	IP code	65
M _{stat}	6.0 Nm	S.N.	yyyyyyy
P _N	1400 W	DATE	xx/xx/xxxx

UNIT: mm	DESIGN	Stm02202-02a
UNLESS OTHERWISE SPECIFIED TOLERANCES	CHECK	
DIMENSIONS : ±0.3 mm DEGREES : ±5%	APPROVED	
DRAWING NOT TO SCALE	DATE	05 / 12 / 2022

BA55SA1402E1B0F

AC BRUSHLESS MOTOR SPECIFICATION

REV	Description
00a	First release.
01a	Fix the resistance and the inductance values.
02a	Fix the encoder A and A- polarity and fix the dimensions of the key.

www.everelettronica.it