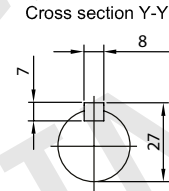
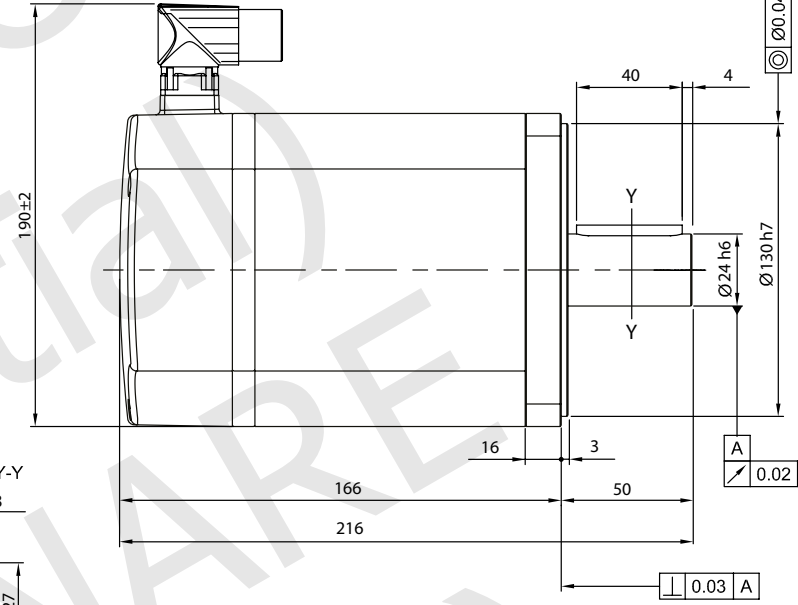
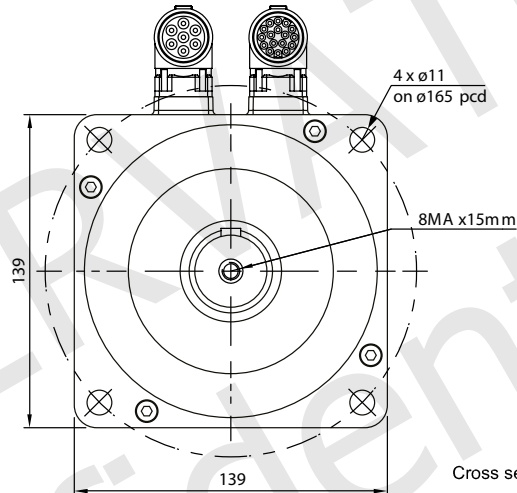
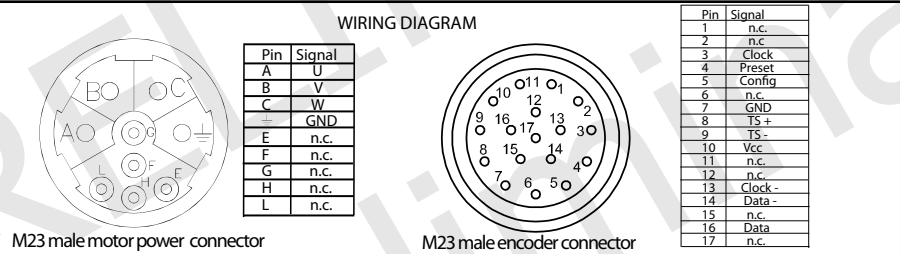


RoHS



ENCODER SPECIFICATIONS	
ENCODER TYPE	Absolute multiturn
SINGLE TURN RESOLUTION	17 bits
MULTITURN RESOLUTION	16 bits
POWER SUPPLY	5 Vdc
OUTPUT	BISS-C
MOTOR SPECIFICATIONS	
POLE PAIRS	5
APPLIED VOLTAGE	230 Vac
RATED POWER	1400 W
STALL TORQUE	6.00 Nm
STALL CURRENT	6.80 A
RATED TORQUE	4.50 Nm
RATED CURRENT	5.20 Arms
PEAK TORQUE	18.00 Nm
PEAK CURRENT	20.5 Arms
RATED SPEED	3000 rpm
MAX SPEED	4000 rpm
TORQUE CONSTANT	0.87 Nm/Arms ±5%
VOLTAGE CONSTANT	49.50 Vrms/Krpm ±5%
LINE TO LINE RESISTANCE	0.70 ohm ±5%
LINE TO LINE INDUCTANCE	7.8 mH
ROTOR INERTIA	6.1 Kg.m <sup>2</sup> *10 <sup>-4</sup>
AMBIENT TEMPERATURE	+0°C ~ +40°C
WEIGHT	4.5 Kg.
PROTECTION	IP65
INSULATION CLASS	Class F, 155°
MAX RADIAL LOAD	1200 N
MAX AXIAL LOAD	500 N



LABELS

CODE <b>BA55SA1402A0B00</b>		Made in Italy	
U <sub>N</sub>	230 Vac	n	3000 r/min
Ke	49.5 V/Krpm	DUTY	S1
I <sub>N</sub>	5.2 A	InC	F
M <sub>N</sub>	4.5 Nm	IP code	65
M <sub>stat</sub>	6.0 Nm	S.N.	yyyyyyy
P <sub>N</sub>	1400 W	DATE	xx/xx/xxxx

UNIT: mm	DESIGN	Stm02203-01a
UNLESS OTHERWISE SPECIFIED TOLERANCES	CHECK	
DIMENSIONS : ±0.3 mm DEGREES : ±5%	APPROVED	
DRAWING NOT TO SCALE	DATE	20 / 10 / 2022

**BA55SA1402A0B00**  
AC BRUSHLESS MOTOR SPECIFICATION

REV	Description
00a	First release.
01a	Fix the resistance and inductance values.

**Ever**  
ELETRONICA  
the clever drive  
www.everelettronica.it