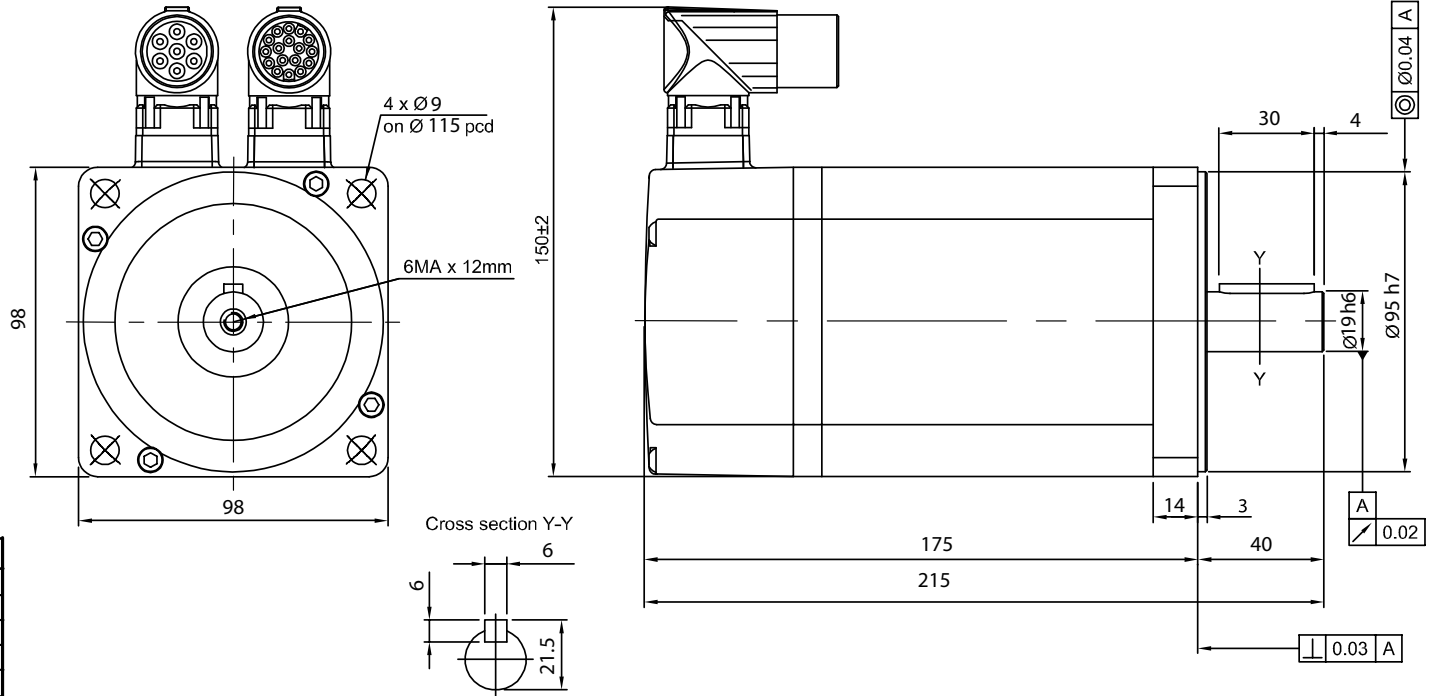


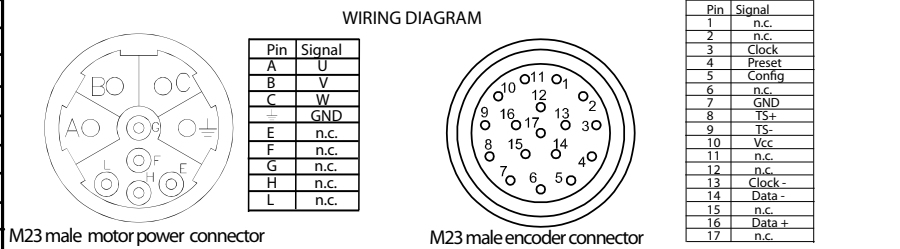
RoHS



ENCODER SPECIFICATIONS	
ENCODER TYPE	Absolute multiturn
SINGLE TURN RESOLUTION	17 bits
MULTITURN RESOLUTION	16 bits
POWER SUPPLY	5 Vdc
OUTPUT	BISS-C

MOTOR SPECIFICATIONS	
POLE PAIRS	5
APPLIED VOLTAGE	230 Vac
RATED POWER	1050 W
STALL TORQUE	4.00 Nm
STALL CURRENT	5.10 A
RATED TORQUE	3.50 Nm
RATED CURRENT	4.50 Arms
PEAK TORQUE	12.00 Nm
PEAK CURRENT	16.3 Arms
RATED SPEED	3000 rpm
MAX SPEED	4000 rpm

TORQUE CONSTANT	0.82 Nm/Arms ±5%
VOLTAGE CONSTANT	50.00 Vrms/Krpm ±5%
LINE TO LINE RESISTANCE	1.40 ohm ±5%
LINE TO LINE INDUCTANCE	13.5 mH
ROTOR INERTIA	2.7 Kg.m <sup>2</sup> *10 <sup>-4</sup>
AMBIENT TEMPERATURE	+0°C ~ +40°C
WEIGHT	5.0 Kg.
PROTECTION	IP65
INSULATION CLASS	Class F, 155°
MAX RADIAL LOAD	600 N
MAX AXIAL LOAD	150 N



LABELS

CE  
Made in Italy

CODE **BA39SA1052A0B00**

U <sub>N</sub>	230 Vac	n	3000 r/min
K <sub>e</sub>	50.0 V/Krpm	DUTY	S1
I <sub>N</sub>	4.5 A	IP	F
M <sub>N</sub>	3.5 Nm	IP code	65
M <sub>stall</sub>	4.0 Nm	S.N.	yyyyyyy
P <sub>N</sub>	1050 W	DATE	xx/xx/xxxx

UNIT: mm	DESIGN	Stm02199-01a
UNLESS OTHERWISE SPECIFIED TOLERANCES	CHECK	
DIMENSIONS : ±0.3 mm    DEGREES : ±5%	APPROVED	
DRAWING NOT TO SCALE	DATE	20 / 10 / 2022

**BA39SA1052A0B00**  
AC BRUSHLESS MOTOR SPECIFICATION

REV	00a / 01a - First release.

**Ever**  
ELETRONICA  
the clever drive  
www.everelettronica.it