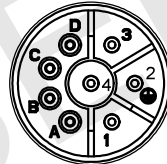
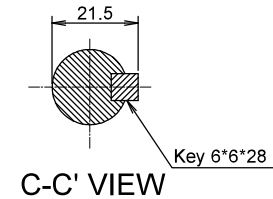
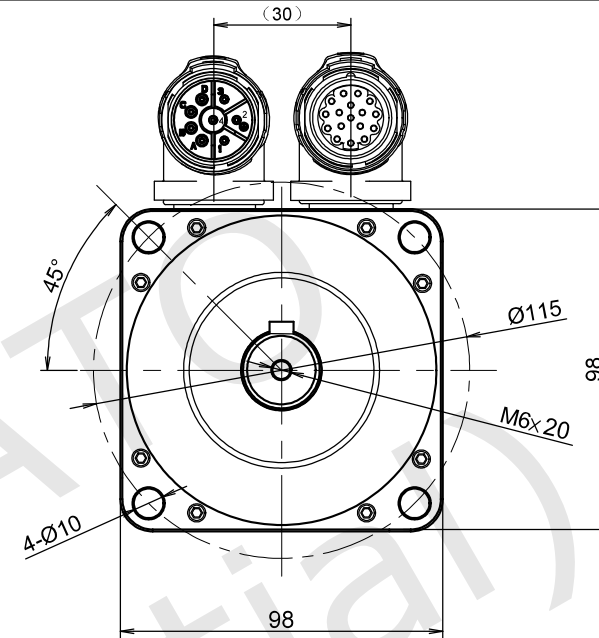
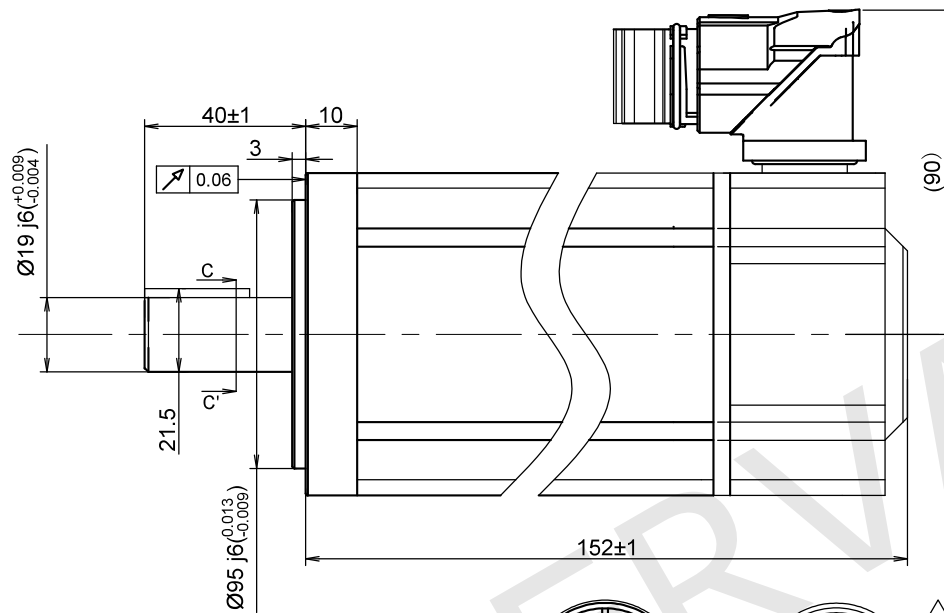
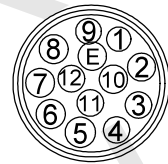


RoHS



Motor power line:
M23 8PINS
(MALE)



Motor signal line:
M23 12PINS
(MALE)

ENCODER SPECIFICATIONS	
ENCODER TYPE	Absolute multiturn
POWER SUPPLY	5.00 Vdc
SINGLE TURN RESOLUTION	24 bits
MULTITURN RESOLUTION	12 bits
OUTPUT TYPE	BiSS- C

MOTOR SPECIFICATIONS	
POLES	8

RATED VOLTAGE	△B	200~250 Vac
RATED CURRENT	△B	4.50 A
PEAK CURRENT	△C	20.7 A
RATED POWER	△B	1100 W
RATED TORQUE	△B	3.50 Nm
PEAK TORQUE		16.00 Nm
RESISTANCE	△C	1.93 ohm ±10% at 20°C
INDUCTANCE	△C	10.1 mH ±20% at 20°C
BACK EMF CONSTANT	△A	55 Vrms/Krpm at 20°C
TORQUE CONSTANT	△C	0.78 Nm/A
RATED SPEED		3000 rpm ±10%
PEAK SPEED		--- rpm ±10%
INSULATION CLASS	△B	Class F, 155°C
ROTOR INERTIA		2.420 g.cm ²
WEIGHT		4500 g. approx
IP CODE		IP65

WIRING DIAGRAM								
Motor power line:								
PIN NO.	A	B	C	D	1	PE	3	4
Signal	---	---	---	---	U	PE	V	W

Motor signal line: △B												
PiN NO.	1	2	3	4	5	6	7	8	9	10	11	12
Signal	5V	0V	DATA+	DATA-	CLOCK+	CLOCK-	SENSOR 5V	SENSOR 0V	---	---	---	---

UNIT: mm	DESIGN	Stm02773-00c
UNLESS OTHERWISE SPECIFIED TOLERANCES	CHECK	
DIMENSIONS : ±0.3 mm DEGREES : ±5%	APPROVED	Matteo C. -10 / 11 / 2023
ORTHOGRAPHIC PROJECTION	DATE	06 / 11 / 2023

DRAWING NOT TO SCALE	
REV	00a - First release.
	00b - Change electrical parameters.
	00c - Add some electrical parameters.

LABELS

(15)

Code : BA39HA1102A0B00
Cust. P/N:

Voltage: 230 Vac Power: 1100W
Rated speed: 3000 rpm Lot #:
Rated torque: 3.50 Nm Made in China
Connect to driver only, see manual for details.

(40)

YYWWXXXXX (25 x 8)
Stator barcode label

BA39HA1102A0B00

AC BRUSHLESS MOTOR SPECIFICATION

the clever drive

www.everelettronica.it