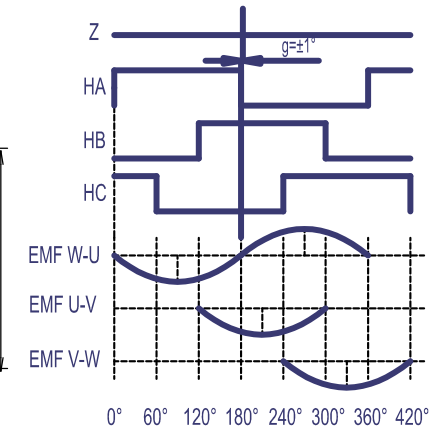
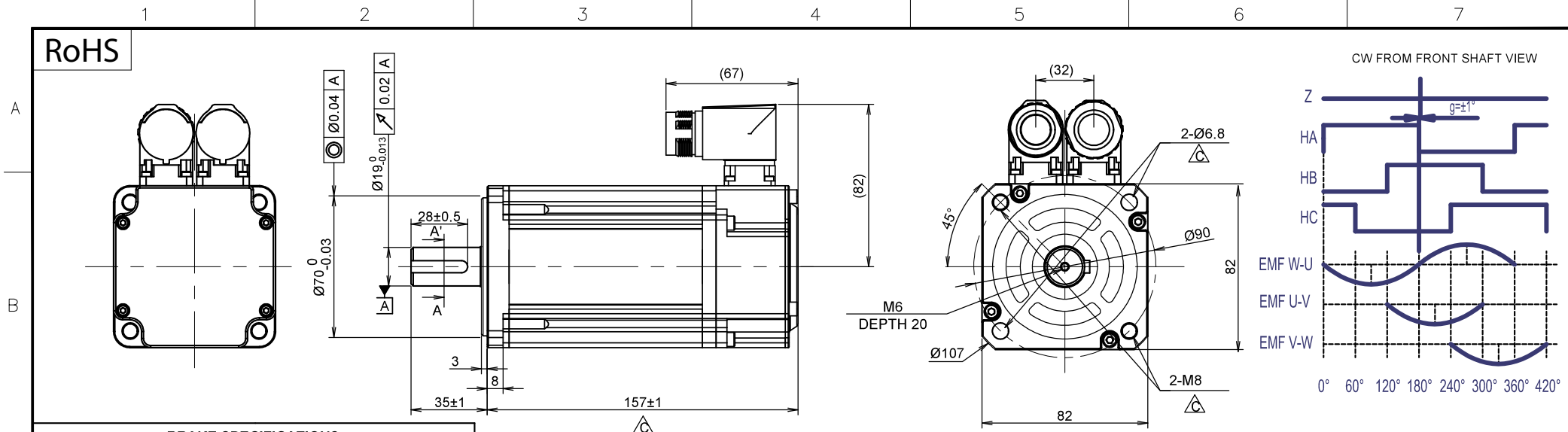
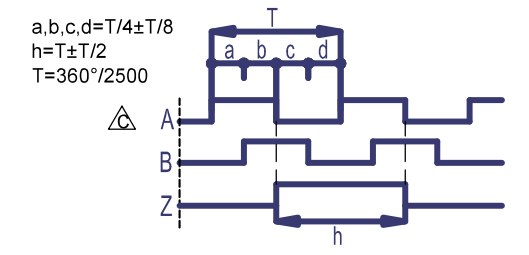
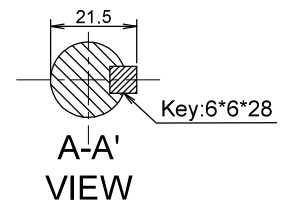
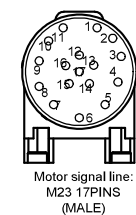
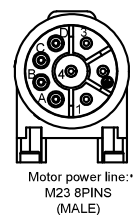


RoHS



| BRAKE SPECIFICATIONS | |
|------------------------|---------------------|
| RATED VOLTAGE | 24 Vdc |
| RATED POWER | 8.5 W |
| HOLDING TORQUE | 4.8 N.m |
| MAX SPEED | --- |
| ENCODER SPECIFICATIONS | |
| ENCODER TYPE | Incremental encoder |
| POWER SUPPLY | 5.00 Vdc |
| RESOLUTION | 2500 ppr |
| OUTPUT TYPE | Line Driver |



| MOTOR SPECIFICATIONS | |
|----------------------|--|
| POLE PAIRS | 5 |
| RATED VOLTAGE | 200 ~ 250 Vac |
| RATED POWER | 750 W |
| RATED CURRENT | 5.16 A |
| RATED TORQUE | 2.39 Nm |
| PEAK TORQUE | 8.40 Nm |
| RATED SPEED | 3000 rpm ±10% |
| PEAK SPEED | 6000 rpm ±10% |
| ROTOR INERTIA | 1500 g.cm ² |
| RESISTANCE | 1.50 ohm ±10% at 20°C |
| INDUCTANCE | 3.73 mH ±20% at 20°C |
| PEAK CURRENT | 18.1 A |
| TORQUE CONSTANT | 0.46 Nm/A |
| BACK EMF CONSTANT | 31.6 Vrms/Krpm |
| WEIGHT | 3200 g. approx |
| IP CODE | IP65 (except for the shafts extension) |

WIRING DIAGRAM

Motor power line:

| | | | | | | | | |
|---------|---|--------|---|---|-----|-----|-----|-----|
| PiN NO. | 1 | 2 | 3 | 4 | A | B | C | D |
| Signal | U | Ground | V | W | BK+ | BK- | --- | --- |

Motor signal line:

| | | | | | | | | | | | | | | | | | |
|---------|--------|-----|---|----|---|----|---|----|-----|-----|--------|-----|--------|-----|--------|-----|-----|
| PIN NO. | 1 | 2 | 3 | 4 | 5 | 6 | 7 | 8 | 9 | 10 | 11 | 12 | 13 | 14 | 15 | 16 | 17 |
| Signal | +5 VDC | GND | A | A/ | B | B/ | Z | Z/ | --- | --- | Hall A | --- | Hall B | --- | Hall C | --- | --- |

| | | |
|---------------------------------------|----------|-----------------------------|
| UNIT: mm | DESIGN | Stm02774-00c |
| UNLESS OTHERWISE SPECIFIED TOLERANCES | CHECK | |
| DIMENSIONS : ±0.3 mm DEGREES : ±5% | APPROVED | Roberta T. - 05 / 12 / 2023 |
| ORTHOGRAPHIC PROJECTION | DATE | 30 / 11 / 2023 |

DRAWING NOT TO SCALE

| | |
|-----|---|
| REV | 00a / 00b - First release. |
| | 00c - Modify electrical parameters, motor length and add encoder diagram. |

LABELS

Code : BA32HA0752E0B0F
Cust. P/N:

Voltage: 230 Vac Power: 750W
Rated speed: 3000 rpm Lot #:

Rated torque: 2.39 Nm Made in China
Connect to driver only, see manual for details.

(40)

YYWWXXXXX (25 x 8)
Stator barcode label

BA32HA0752E0B0F
AC BRUSHLESS MOTOR SPECIFICATION

the clever drive

www.everelettronica.it